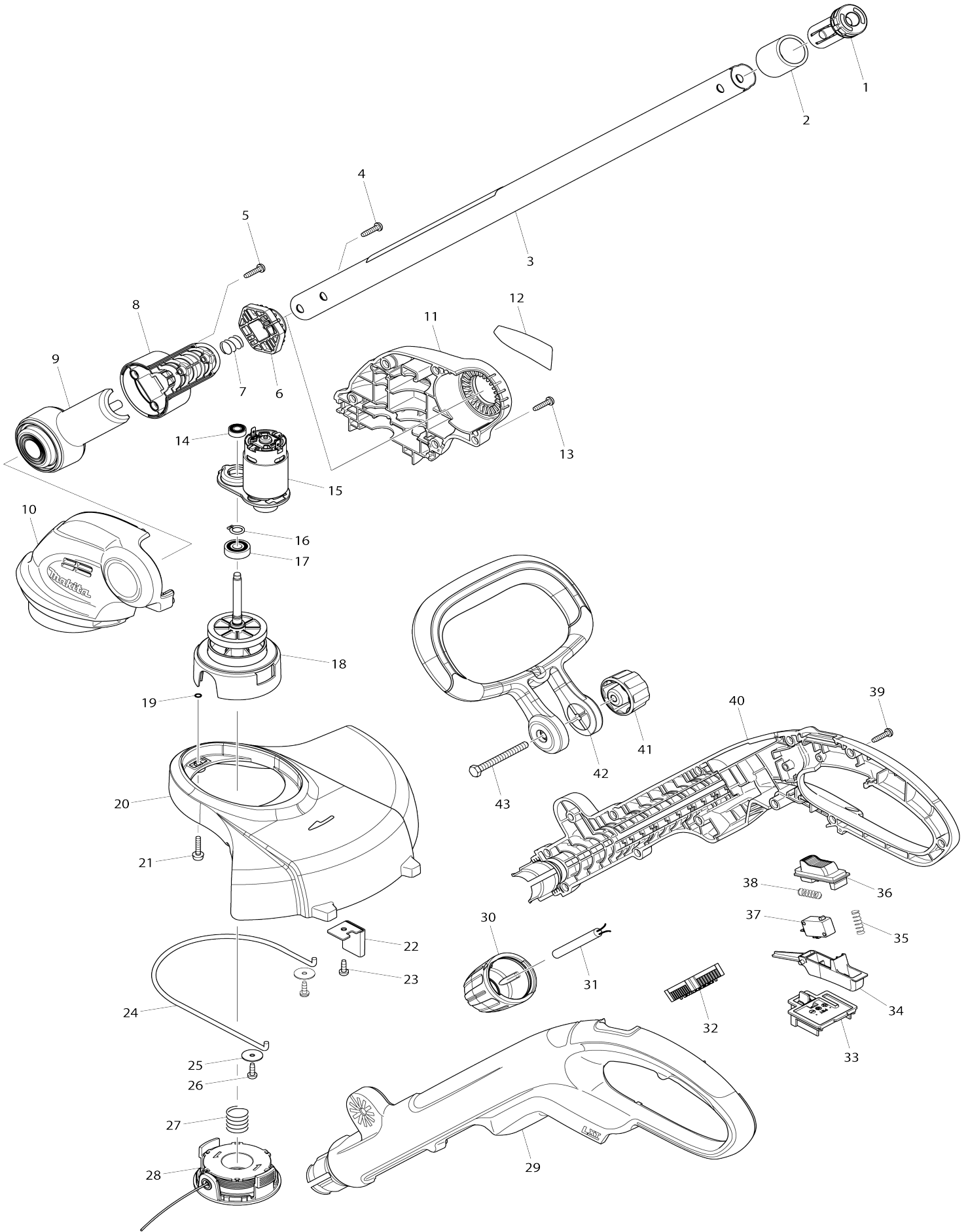


Model No.DUR181 260MM CORDLESS STRING TRIMMER



Model No.DUR181 260MM CORDLESS STRING TRIMMER

Item No.	Parts No.	Description	Interchangeability	Q'ty	New/Old	Note1	Note2
001	453357-2	PIPE CAP		1			
002	422089-2	RUBBER SLEEVE 25		1			
003	141339-3	PIPE25 COMPLETE		1			
C10	890862-2	CAUTION LABEL		1			
004	265995-6	TAPPING SCREW 4X18		2			
005	265995-6	TAPPING SCREW 4X18		2			
006	451896-6	LOCK OFF BUTTON B		1			
007	231113-8	COMPRESSION SPRING 12		1			
008	188870-8	PIPE HOLDER SET		1			
D10		INC. 9					
009	188870-8	PIPE HOLDER SET		1			
D10		INC. 8					
010	187413-3	MOTOR HOUSING SET		1	*		
C10	263002-9	RUBBER PIN 4		2	*		
C20	263005-3	RUBBER PIN 6		2	*		
C30	931102-0	HEX. NUT M4		2	*		
D10		INC. 11					
010-1	187413-3	MOTOR HOUSING SET	O	1			
C10	263002-9	RUBBER PIN 4		2			
C20	263005-3	RUBBER PIN 6		2			
C30	931102-0	HEX. NUT M4		2			
D10		INC. 11					
011	187413-3	MOTOR HOUSING SET		1	*		
C10	263002-9	RUBBER PIN 4		2	*		
C20	263005-3	RUBBER PIN 6		2	*		
C30	931102-0	HEX. NUT M4		2	*		
D10		INC. 10					
011-1	187413-3	MOTOR HOUSING SET	O	1			
C10	263002-9	RUBBER PIN 4		2			
C20	263005-3	RUBBER PIN 6		2			
C30	931102-0	HEX. NUT M4		2			
D10		INC. 10					
012	815V40-5	DUR181 NAME PLATE		1			
013	265995-6	TAPPING SCREW 4X18		5			
014	210006-2	BALL BEARING 696ZZ		1			
015	629932-8	DC MOTOR		1			
016	961004-6	RETAINING RING (EXT) S-8		1			
017	211032-4	BALL BEARING 608ZZ		1			
018	141338-5	GEAR SHAFT COMPLETE		1			
C10	227283-9	SPUR GEAR 48		1			
C20	266744-4	+ PAN HEAD SCREW M4X8		1			
C30	326159-8	GEAR SHAFT		1			
C40	453360-3	SPOOL HOLDER		1			
019	213023-1	O RING 4		2			
020	453353-0	SAFETY COVER		1			
021	911139-3	PAN HEAD SCREW M4X20 WG		2			
022	123169-4	CORD CUTTER ASSEMBLY		1			

023	266020-6	TAPPING SCREW 4X12		1		
024	326128-9	WIRE GUARD		1		
025	267071-2	FLAT WASHER 4		2		
026	266020-6	TAPPING SCREW 4X12		2		
027	231352-0	COMPRESSION SPRING 17		1		
028	196146-9	SPOOL SET		1	*	
028-1	195858-1	SPOOL SET	O	1		
029	187416-7	HANDLE SET		1		
C10	263005-3	RUBBER PIN 6		2		
D10		INC. 40				
030	453344-1	LOCK SLEEVE		1		
031	699058-0	POWER SUPPLY CORD UNIT		1	*	
031-1	660260-2	POWER SUPPLY CORD #16-2-0.2	O	1		
032	620112-9	CONTROLLER		1	*	
032-1	632M91-7	CONTROLLER UNIT	S	1		
033	643852-2	TERMINAL		1		
034	453338-6	SWITCH LEVER		1		
035	233068-3	COMPRESSION SPRING 6		1		
036	453339-4	LOCK OFF LEVER		1		
037	651891-8	SWITCH V-15-3A6		1		
038	233068-3	COMPRESSION SPRING 6		1		
039	265995-6	TAPPING SCREW 4X18		11		
040	187416-7	HANDLE SET		1		
C10	263005-3	RUBBER PIN 6		2		
D10		INC. 29				
041	264072-1	THUMB NUT M6		1	*	
C10	931302-2	HEX. NUT M6		1	*	
041-1	264072-1	THUMB NUT M6	O	1		
042	453340-9	FRONT GRIP		1		
043	921382-6	HEX. BOLT M6X60		1		
A01	125516-5	BAND ASSEMBLY		1		
A02	195246-2	SAFETY GOGGLE		1	*	
A03	196148-5	NYLON CORD 1.65-15M SET		1		
E01	688172-7	LINE FILTER	S	1		
F03	195861-2	NYLON CORD 1.65-30M SET		1		
F11	194513-2	BATTERY BL1815 SET		1		
F13-3	197606-4	BATTERY BL1830B SET (2PIECES)	O	1	*	
F14	195445-6	BATTERY BL1815 SET		1		
F15-2	196235-0	BATTERY BL1815N SET	O	1		
F16-1	196449-1	BATTERY BL1815N SET	O	1		
F17-2	196449-1	BATTERY BL1815N SET	O	1		
F20	197256-5	BATTERY BL1820B SET		1		
F21	197267-0	BATTERY BL1840B SET		1		
F22	197273-5	BATTERY BL1840B SET(2PIECES)		1		
F23	197282-4	BATTERY BL1850B SET		1		
F24	197288-2	BATTERY BL1850B SET 2PIECES		1		
A04	***DC18RC	DC18RC FAST CHARGER		1		
A05	194204-5	BATTERY BL1830 SET		1	*	
A05-1	194204-5	BATTERY BL1830 SET	O	1	*	
A05-2	197600-6	BATTERY BL1830B SET	<	1	*	
A05-3	197600-6	BATTERY BL1830B SET	O	1		
A05-1	196399-0	BATTERY BL1840 SET		1	*	

A05-2	197265-4	BATTERY BL1840B SET	<	1	*		
A05-3	197265-4	BATTERY BL1840B SET	O	1			
A06	450128-8	BATTERY COVER		1			
A05	197280-8	BATTERY BL1850B SET		1	*		
A05-1	197280-8	BATTERY BL1850B SET	O	1			
A04	***DC18WC	DC18WC BATTERY CHARGER		1			

Please state Parts No. when your order.

Print Date 06/10/2024